

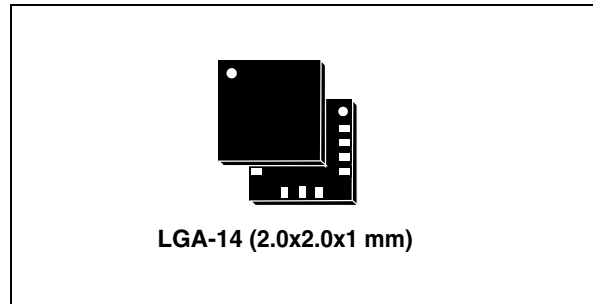
## MEMS digital output motion sensor: ultra low-power high performance 3-axis “femto” accelerometer

### Features

- Wide supply voltage, 1.71 V to 3.6 V
- Independent IOs supply (1.8 V) and supply voltage compatible
- Ultra low-power mode consumption down to 2  $\mu$ A
- $\pm 2g/\pm 4g/\pm 8g/\pm 16g$  dynamically selectable full-scale
- I<sup>2</sup>C/SPI digital output interface
- 2 independent programmable interrupt generators for free-fall and motion detection
- 6D/4D orientation detection
- “Sleep to wake” and “return to sleep” function
- Freefall detection
- Motion detection
- Embedded temperature sensor
- Embedded FIFO
- ECOPACK<sup>®</sup> RoHS and “Green” compliant

### Applications

- Motion activated functions
- Display orientation
- Shake control
- Pedometer
- Gaming and virtual reality input devices
- Impact recognition and logging



### Description

The LIS2DH is an ultra low-power high performance three-axis linear accelerometer belonging to the “femto” family, with digital I<sup>2</sup>C/SPI serial interface standard output.

The LIS2DH has dynamically user selectable full scales of  $\pm 2g/\pm 4g/\pm 8g/\pm 16g$  and it is capable of measuring accelerations with output data rates from 1 Hz to 5.3 kHz.

The self-test capability allows the user to check the functioning of the sensor in the final application.

The device may be configured to generate interrupt signals by two independent inertial wake-up/free-fall events as well as by the position of the device itself.

The LIS2DH is available in small thin plastic land grid array package (LGA) and is guaranteed to operate over an extended temperature range from -40 °C to +85 °C.

**Table 1. Device summary**

Order codes	Temperature range [°C]	Package	Packaging
LIS2DH	-40 to +85	LGA-14	Tray
LIS2DHTR	-40 to +85	LGA-14	Tape and reel

# Contents

- 1      Block diagram and pin description ..... 6**
  - 1.1    Block diagram ..... 6
  - 1.2    Pin description ..... 6
  
- 2      Mechanical and electrical specifications ..... 8**
  - 2.1    Mechanical characteristics ..... 8
  - 2.2    Temperature sensor characteristics ..... 9
  - 2.3    Electrical characteristics ..... 10
  - 2.4    Communication interface characteristics ..... 11
    - 2.4.1    SPI - serial peripheral interface ..... 11
    - 2.4.2    I<sup>2</sup>C - inter IC control interface ..... 12
  - 2.5    Absolute maximum ratings ..... 13
  - 2.6    Terminology and functionality ..... 14
    - Terminology ..... 14
    - 2.6.1    Sensitivity ..... 14
    - 2.6.2    Zero-g level ..... 14
    - Functionality ..... 14
    - 2.6.3    High resolution, normal mode, low power mode ..... 14
    - 2.6.4    Self-test ..... 15
    - 2.6.5    6D / 4D orientation detection ..... 16
    - 2.6.6    “Sleep to wake” and “Return to sleep” ..... 16
  - 2.7    Sensing element ..... 16
  - 2.8    IC interface ..... 16
  - 2.9    Factory calibration ..... 17
  - 2.10   FIFO ..... 17
  - 2.11   Temperature sensor ..... 17
  
- 3      Application hints ..... 18**
  - 3.1    Soldering information ..... 18
  
- 4      Digital main blocks ..... 19**
  - 4.1    FIFO ..... 19
    - 4.1.1    Bypass mode ..... 19

4.1.2	FIFO mode	19
4.1.3	Stream mode	19
4.1.4	Stream-to-FIFO mode	19
4.1.5	Retrieve data from FIFO	19
<b>5</b>	<b>Digital interfaces</b>	<b>21</b>
5.1	I <sup>2</sup> C serial interface	21
5.1.1	I <sup>2</sup> C operation	22
5.2	SPI bus interface	23
5.2.1	SPI read	25
5.2.2	SPI write	26
5.2.3	SPI read in 3-wire mode	26
<b>6</b>	<b>Register mapping</b>	<b>28</b>
<b>7</b>	<b>Registers Description</b>	<b>30</b>
7.1	STATUS_AUX (07h)	30
7.2	OUT_TEMP_L (0Ch), OUT_TEMP_H (0Dh)	30
7.3	INT_COUNTER (0Eh)	30
7.4	WHO_AM_I (0Fh)	30
7.5	TEMP_CFG_REG (1Fh)	30
7.6	CTRL_REG1 (20h)	31
7.7	CTRL_REG2 (21h)	32
7.8	CTRL_REG3 (22h)	32
7.9	CTRL_REG4 (23h)	33
7.10	CTRL_REG5 (24h)	34
7.11	CTRL_REG6 (25h)	34
7.12	REFERENCE/DATACAPTURE (26h)	35
7.13	STATUS_REG (27h)	35
7.14	OUT_X_L (28h), OUT_X_H (29h)	35
7.15	OUT_Y_L (2Ah), OUT_Y_H (2Bh)	36
7.16	OUT_Z_L (2Ch), OUT_Z_H (2Dh)	36
7.17	FIFO_CTRL_REG (2Eh)	36
7.18	FIFO_SRC_REG (2Fh)	36
7.19	INT1_CFG (30h)	37

---

7.20	INT1_SRC (31h) .....	38
7.21	INT1_THS (32h) .....	38
7.22	INT1_DURATION (33h) .....	39
7.23	INT2_CFG (34h) .....	39
7.24	INT2_SRC (35h) .....	40
7.25	INT2_THS (36h) .....	41
7.26	INT2_DURATION (37h) .....	41
7.27	CLICK_CFG (38h) .....	42
7.28	CLICK_SRC (39h) .....	42
7.29	CLICK_THS (3Ah) .....	43
7.30	TIME_LIMIT (3Bh) .....	43
7.31	TIME_LATENCY (3Ch) .....	43
7.32	TIME WINDOW(3Dh) .....	43
7.33	Act_THS(3Eh) .....	44
7.34	Act_DUR (3Fh) .....	44
<b>8</b>	<b>Package information .....</b>	<b>45</b>
<b>9</b>	<b>Revision history .....</b>	<b>46</b>

## List of tables

Table 1.	Device summary . . . . .	1
Table 2.	Pin description . . . . .	6
Table 3.	Mechanical characteristics . . . . .	7
Table 4.	Temperature sensor characteristics . . . . .	8
Table 5.	Electrical characteristics . . . . .	9
Table 6.	SPI slave timing values . . . . .	10
Table 7.	I <sup>2</sup> C slave timing values . . . . .	11
Table 8.	Absolute maximum ratings . . . . .	12
Table 9.	Operating mode selection . . . . .	13
Table 10.	Turn-on time for operating mode change . . . . .	14
Table 11.	Operating modes current consumption . . . . .	14
Table 12.	Serial interface pin description . . . . .	20
Table 13.	Serial interface pin description . . . . .	20
Table 14.	SAD+read/write patterns . . . . .	21
Table 15.	Transfer when master is writing one byte to slave . . . . .	21
Table 16.	Transfer when master is writing multiple bytes to slave: . . . . .	22
Table 17.	Transfer when master is receiving (reading) one byte of data from slave: . . . . .	22
Table 18.	Transfer when master is receiving (reading) multiple bytes of data from slave . . . . .	22
Table 19.	Register address map . . . . .	27
Table 20.	STATUS_REG_AUX register . . . . .	29
Table 21.	STATUS_REG_AUX description . . . . .	29
Table 22.	INT_COUNTER register . . . . .	29
Table 23.	WHO_AM_I register . . . . .	29
Table 24.	TEMP_CFG_REG register . . . . .	29
Table 25.	TEMP_CFG_REG description . . . . .	30
Table 26.	CTRL_REG1 register . . . . .	30
Table 27.	CTRL_REG1 description . . . . .	30
Table 28.	Data rate configuration . . . . .	30
Table 29.	CTRL_REG2 register . . . . .	31
Table 30.	CTRL_REG2 description . . . . .	31
Table 31.	High pass filter mode configuration . . . . .	31
Table 32.	CTRL_REG3 register . . . . .	31
Table 33.	CTRL_REG3 description . . . . .	31
Table 34.	CTRL_REG4 register . . . . .	32
Table 35.	CTRL_REG4 description . . . . .	32
Table 36.	Self-test mode configuration . . . . .	32
Table 37.	CTRL_REG5 register . . . . .	33
Table 38.	CTRL_REG5 description . . . . .	33
Table 39.	CTRL_REG6 register . . . . .	33
Table 40.	CTRL_REG6 description . . . . .	33
Table 41.	REFERENCE register . . . . .	34
Table 42.	REFERENCE register description . . . . .	34
Table 43.	STATUS register . . . . .	34
Table 44.	STATUS register description . . . . .	34
Table 45.	FIFO_CTRL_REG register . . . . .	35
Table 46.	FIFO_CTRL_REG register description . . . . .	35
Table 47.	FIFO mode configuration . . . . .	35
Table 48.	FIFO_SRC register . . . . .	35

Table 49.	INT1_CFG register . . . . .	36
Table 50.	INT1_CFG description . . . . .	36
Table 51.	Interrupt mode . . . . .	36
Table 52.	INT1_SRC register . . . . .	37
Table 53.	INT1_SRC description . . . . .	37
Table 54.	INT1_THS register . . . . .	37
Table 55.	INT1_THS description . . . . .	37
Table 56.	INT1_DURATION register . . . . .	38
Table 57.	INT1_DURATION description . . . . .	38
Table 58.	INT2_CFG register . . . . .	38
Table 59.	INT2_CFG description . . . . .	38
Table 60.	Interrupt mode . . . . .	39
Table 61.	INT2_SRC register . . . . .	39
Table 62.	INT2_SRC description . . . . .	39
Table 63.	INT2_THS register . . . . .	40
Table 64.	INT2_THS description . . . . .	40
Table 65.	INT2_DURATION register . . . . .	40
Table 66.	INT2_DURATION description . . . . .	40
Table 67.	CLICK_CFG register . . . . .	41
Table 68.	CLICK_CFG description . . . . .	41
Table 69.	CLICK_SRC register . . . . .	41
Table 70.	CLICK_SRC description . . . . .	41
Table 71.	CLICK_THS register . . . . .	42
Table 72.	CLICK_SRC description . . . . .	42
Table 73.	TIME_LIMIT register . . . . .	42
Table 74.	TIME_LIMIT description . . . . .	42
Table 75.	TIME_LATENCY register . . . . .	42
Table 76.	TIME_LATENCY description . . . . .	42
Table 77.	TIME_WINDOW register . . . . .	42
Table 78.	TIME_WINDOW description . . . . .	43
Table 79.	TIME_WINDOW register . . . . .	43
Table 80.	TIME_WINDOW description . . . . .	43
Table 81.	Act_DUR register . . . . .	43
Table 82.	Act_DUR description . . . . .	43
Table 83.	LGA-14 2x2x0.9 mechanical dimensions . . . . .	44
Table 84.	Revision history . . . . .	45

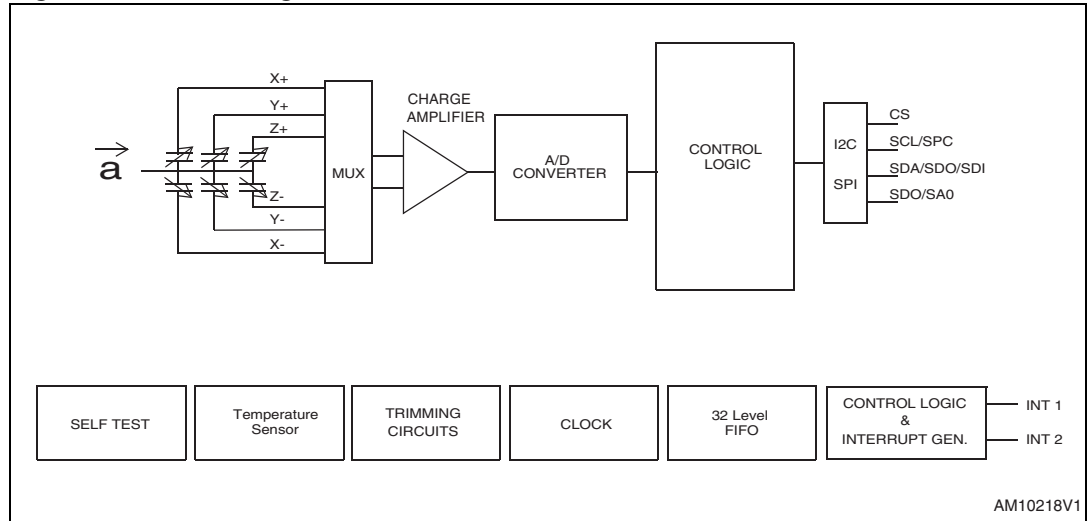
## List of figures

Figure 1.	Block diagram . . . . .	5
Figure 2.	Pin connection . . . . .	5
Figure 3.	SPI slave timing diagram . . . . .	10
Figure 4.	I <sup>2</sup> C slave timing diagram . . . . .	11
Figure 5.	LIS2DH electrical connection . . . . .	17
Figure 6.	Read and write protocol . . . . .	23
Figure 7.	SPI read protocol . . . . .	24
Figure 8.	Multiple bytes SPI read protocol (2-byte example) . . . . .	24
Figure 9.	SPI write protocol . . . . .	25
Figure 10.	Multiple bytes SPI write protocol (2-byte example) . . . . .	25
Figure 11.	SPI read protocol in 3-wire mode . . . . .	26
Figure 12.	LGA-14 2x2x0.9 mechanical drawing . . . . .	44

# 1 Block diagram and pin description

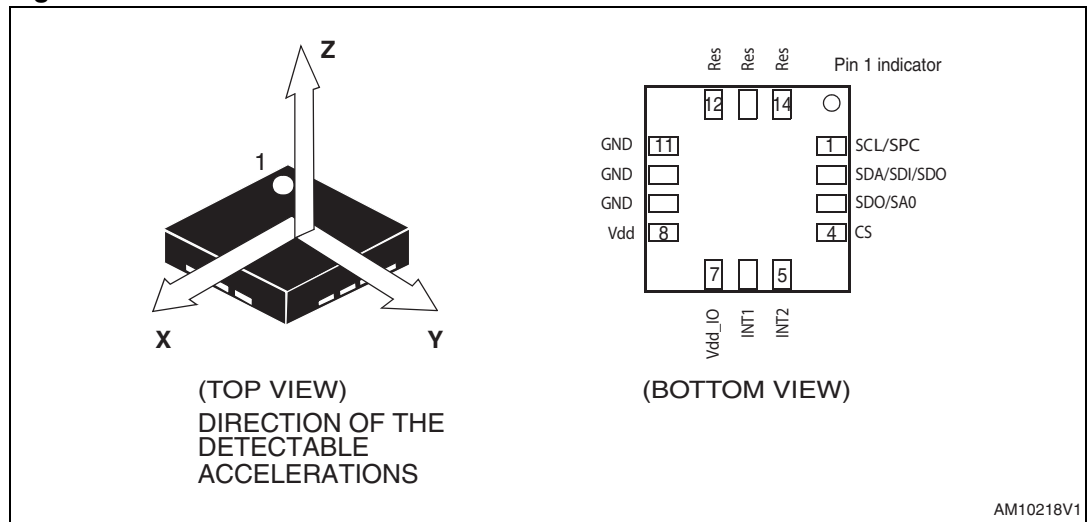
## 1.1 Block diagram

Figure 1. Block diagram



## 1.2 Pin description

Figure 2. Pin connection





**Table 2. Pin description**

Pin#	Name	Function
1	SCL SPC	I <sup>2</sup> C serial clock (SCL) SPI serial port clock (SPC)
2	SDA SDI SDO	I <sup>2</sup> C serial data (SDA) SPI serial data input (SDI) 3-wire interface serial data output (SDO)
3	SDO SA0	SPI serial data output (SDO) I <sup>2</sup> C less significant bit of the device address (SA0)
4	CS	SPI enable I2C/SPI mode selection (1: SPI idle mode / I2C communication enabled; 0: SPI communication mode / I2C disabled)
5	INT2	Interrupt pin 2
6	INT1	Interrupt pin 1
7	Vdd_IO	Power supply for I/O pins
8	Vdd	Power supply
9	GND	0 V supply
10	Res	Connect to GND
11	Res	Connect to GND
12-14	Res	Connect to GND

## 2 Mechanical and electrical specifications

### 2.1 Mechanical characteristics

@ V<sub>dd</sub> = 2.5 V, T = 25 °C unless otherwise noted<sup>(a)</sup>

**Table 3. Mechanical characteristics**

Symbol	Parameter	Test conditions	Min.	Typ. <sup>(1)</sup>	Max.	Unit
FS	Measurement range <sup>(2)</sup>	FS bit set to 00		±2.0		g
		FS bit set to 01		±4.0		
		FS bit set to 10		±8.0		
		FS bit set to 11		±16.0		
So	Sensitivity	FS bit set to 00; Normal mode		4		mg/digit
		FS bit set to 00; High Resolution mode		1		
		FS bit set to 00; Low power mode		16		
		FS bit set to 01; Normal mode		8		mg/digit
		FS bit set to 01; High Resolution mode		2		
		FS bit set to 01; Low power mode		32		
		FS bit set to 10; Normal mode		16		mg/digit
		FS bit set to 10; High Resolution mode		4		
		FS bit set to 10; Low power mode		64		
		FS bit set to 11; Normal mode		48		mg/digit
		FS bit set to 11; High Resolution mode		12		
		FS bit set to 11; Low power mode		192		
TCS <sub>o</sub>	Sensitivity change vs temperature	FS bit set to 00		0.01		%/°C
TyOff	Typical zero-g level offset accuracy <sup>(3),(4)</sup>	FS bit set to 00		±40		mg

a. The product is factory calibrated at 2.5 V. The operational power supply range is from 1.71V to 3.6 V.

**Table 3. Mechanical characteristics (continued)**

Symbol	Parameter	Test conditions	Min.	Typ. <sup>(1)</sup>	Max.	Unit
TCOff	Zero- <i>g</i> level change vs temperature	Max delta from 25 °C		±0.5		mg/°C
Vst	Self-test output change <sup>(5),(6),(7)</sup>	FS bit set to 00 X axis; Normal mode	17		360	LSb
		FS bit set to 00 Y axis; Normal mode	17		360	LSb
		FS bit set to 00 Z axis; Normal mode	17		360	LSb
Top	Operating temperature range		-40		+85	°C

1. Typical specifications are not guaranteed.
2. Verified by wafer level test and measurement of initial offset and sensitivity.
3. Typical zero-*g* level offset value after MSL3 preconditioning.
4. Offset can be eliminated by enabling the built-in high pass filter.
5. The sign of “Self-test output change” is defined by CTRL\_REG4 ST bit, for all axes.
6. “Self-test output change” is defined as the absolute value of:  
 $OUTPUT[LSb]_{(Self\ test\ enabled)} - OUTPUT[LSb]_{(Self\ test\ disabled)}$ . 1LSb=4mg at 10bit representation, ±2 *g* Full-scale
7. After enabling ST, correct data is obtained after two samples (Low power mode / Normal mode) or after eight samples (high resolution mode).

## 2.2 Temperature sensor characteristics

@ Vdd =2.5 V, T=25 °C unless otherwise noted<sup>(b)</sup>

**Table 4. Temperature sensor characteristics**

Symbol	Parameter	Min.	Typ. <sup>(1)</sup>	Max.	Unit
TSDr	Temperature sensor output change vs temperature		1		digit/°C <sup>(2)</sup>
TODR	Temperature refresh rate		ODR <sup>(3)</sup>		Hz
Top	Operating temperature range	-40		+85	°C

1. Typical specifications are not guaranteed.
2. 8-bit resolution.
3. Refer to [Table 28: Data rate configuration](#).

b. The product is factory calibrated at 2.5 V. Temperature sensor operation is guaranteed in the range 2 V - 3.6 V

## 2.3 Electrical characteristics

@ Vdd = 2.5 V, T = 25 °C unless otherwise noted<sup>(c)</sup>

**Table 5. Electrical characteristics**

Symbol	Parameter	Test conditions	Min.	Typ. <sup>(1)</sup>	Max.	Unit
Vdd	Supply voltage		1.71	2.5	3.6	V
Vdd_IO	I/O pins supply voltage <sup>(2)</sup>		1.71		Vdd+0.1	V
Idd	Current consumption in Normal mode	50 Hz ODR		11		μA
Idd	Current consumption in Normal mode	1 Hz ODR		2		μA
IddLP	Current consumption in low-power mode	50 Hz ODR		6		μA
IddPdn	Current consumption in power-down mode			0.5		μA
VIH	Digital high level input voltage		0.8*Vdd_IO			V
VIL	Digital low level input voltage				0.2*Vdd_IO	V
VOH	High level output voltage		0.9*Vdd_IO			V
VOL	Low level output voltage				0.1*Vdd_IO	V
Top	Operating temperature range		-40		+85	°C

1. Typical specification are not guaranteed.
2. It is possible to remove Vdd maintaining Vdd\_IO without blocking the communication busses, in this condition the measurement chain is powered off.

c. The product is factory calibrated at 2.5 V. The operational power supply range is from 1.71 V to 3.6 V.

## 2.4 Communication interface characteristics

### 2.4.1 SPI - serial peripheral interface

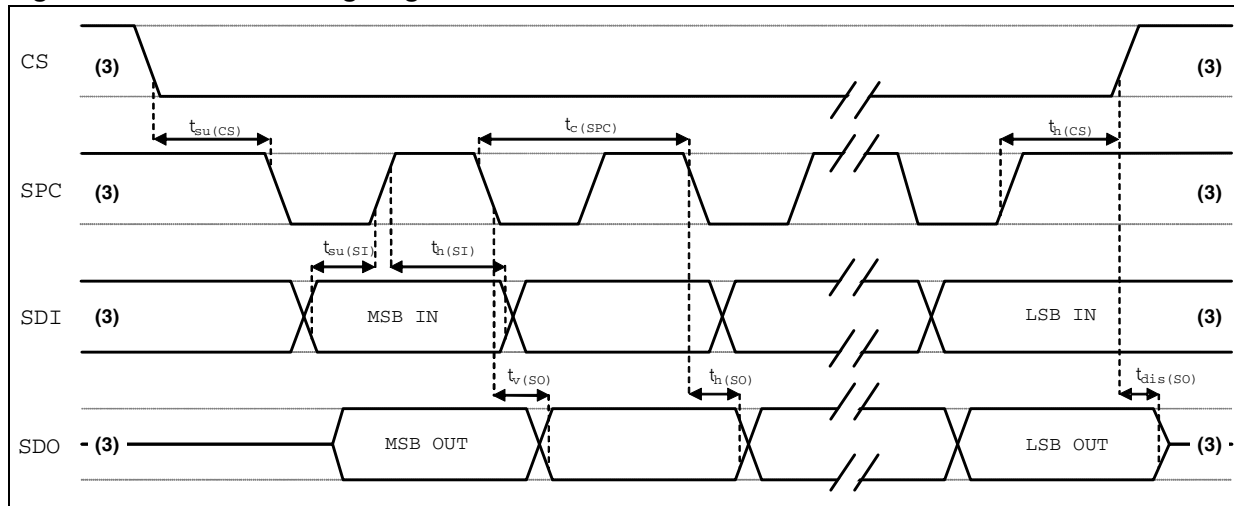
Subject to general operating conditions for Vdd and Top.

**Table 6. SPI slave timing values**

Symbol	Parameter	Value <sup>(1)</sup>		Unit
		Min	Max	
tc(SPC)	SPI clock cycle	100		ns
fc(SPC)	SPI clock frequency		10	MHz
tsu(CS)	CS setup time	5		ns
th(CS)	CS hold time	20		
tsu(SI)	SDI input setup time	5		
th(SI)	SDI input hold time	15		
tv(SO)	SDO valid output time		50	
th(SO)	SDO output hold time	5		
tdis(SO)	SDO output disable time		50	

1. Values are guaranteed at 10 MHz clock frequency for SPI with both 4 and 3 wires, based on characterization results, not tested in production

**Figure 3. SPI slave timing diagram<sup>(d)</sup>**



3. When no communication is on-going, data on SDO is driven by internal pull-up resistors

d. Measurement points are done at 0.2·Vdd\_IO and 0.8·Vdd\_IO, for both Input and output port.

### 2.4.2 I<sup>2</sup>C - Inter IC control interface

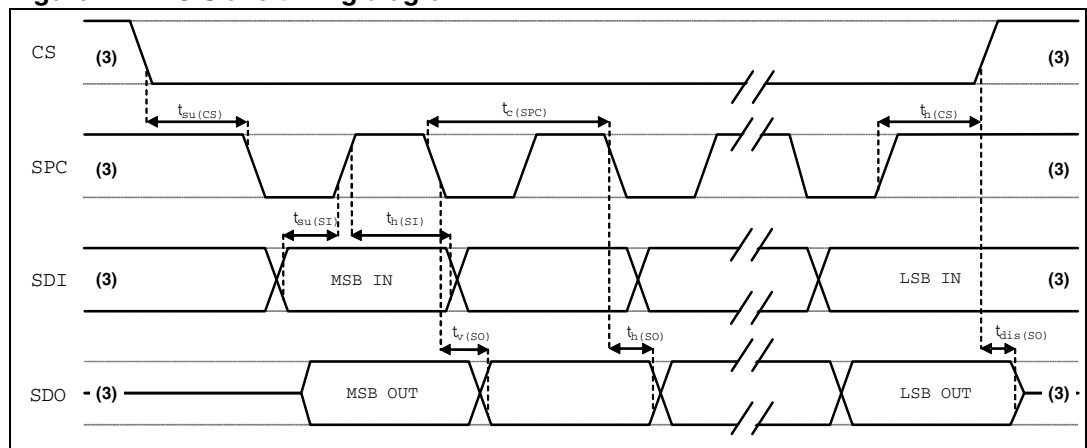
Subject to general operating conditions for Vdd and top.

**Table 7. I<sup>2</sup>C slave timing values**

Symbol	Parameter	I <sup>2</sup> C standard mode (1)		I <sup>2</sup> C fast mode (1)		Unit
		Min	Max	Min	Max	
f <sub>(SCL)</sub>	SCL clock frequency	0	100	0	400	kHz
t <sub>w(SCLL)</sub>	SCL clock low time	4.7		1.3		
t <sub>w(SCLH)</sub>	SCL clock high time	4.0		0.6		μs
t <sub>su(SDA)</sub>	SDA setup time	250		100		ns
t <sub>h(SDA)</sub>	SDA data hold time	0	3.45	0.01	0.9	μs
t <sub>r(SDA)</sub> t <sub>r(SCL)</sub>	SDA and SCL rise time		1000	20 + 0.1C <sub>b</sub> (2)	300	ns
t <sub>f(SDA)</sub> t <sub>f(SCL)</sub>	SDA and SCL fall time		300	20 + 0.1C <sub>b</sub> (2)	300	
t <sub>h(ST)</sub>	START condition hold time	4		0.6		μs
t <sub>su(SR)</sub>	Repeated START condition setup time	4.7		0.6		
t <sub>su(SP)</sub>	STOP condition setup time	4		0.6		
t <sub>w(SP:SR)</sub>	Bus free time between STOP and START condition	4.7		1.3		

1. Data based on standard I<sup>2</sup>C protocol requirement, not tested in production.
2. C<sub>b</sub> = total capacitance of one bus line, in pF.

**Figure 4. I<sup>2</sup>C Slave timing diagram (e)**



e. Measurement points are done at 0.2·Vdd\_IO and 0.8·Vdd\_IO, for both port.

## 2.5 Absolute maximum ratings

Stresses above those listed as “absolute maximum ratings” may cause permanent damage to the device. This is a stress rating only and functional operation of the device under these conditions is not implied. Exposure to maximum rating conditions for extended periods may affect device reliability.

**Table 8. Absolute maximum ratings**

Symbol	Ratings	Maximum value	Unit
V <sub>dd</sub>	Supply voltage	-0.3 to 4.8	V
V <sub>dd_IO</sub>	I/O pins Supply voltage	-0.3 to 4.8	V
V <sub>in</sub>	Input voltage on any control pin (CS, SCL/SPC, SDA/SDI/SDO, SDO/SA0)	-0.3 to V <sub>dd_IO</sub> +0.3	V
A <sub>POW</sub>	Acceleration (any axis, powered, V <sub>dd</sub> = 2.5 V)	3000 g for 0.5 ms	
		10000 g for 0.1 ms	
A <sub>UNP</sub>	Acceleration (any axis, unpowered)	3000 g for 0.5 ms	
		10000 g for 0.1 ms	
T <sub>OP</sub>	Operating temperature range	-40 to +85	°C
T <sub>STG</sub>	Storage temperature range	-40 to +125	°C
ESD	Electrostatic discharge protection	2 (HBM)	kV

*Note:* Supply voltage on any pin should never exceed 4.8 V



This is a mechanical shock sensitive device, improper handling can cause permanent damage to the part



This is an ESD sensitive device, improper handling can cause permanent damage to the part

## 2.6 Terminology and functionality

### Terminology

#### 2.6.1 Sensitivity

Sensitivity describes the gain of the sensor and can be determined e.g. by applying 1 *g* acceleration to it. As the sensor can measure DC accelerations this can be done easily by pointing the axis of interest towards the center of the earth, noting the output value, rotating the sensor by 180 degrees (pointing to the sky) and noting the output value again. By doing so,  $\pm 1$  *g* acceleration is applied to the sensor. Subtracting the larger output value from the smaller one, and dividing the result by 2, leads to the actual sensitivity of the sensor. This value changes very little over temperature and also time. The sensitivity tolerance describes the range of Sensitivities of a large population of sensors.

#### 2.6.2 Zero-*g* level

Zero-*g* level offset (TyOff) describes the deviation of an actual output signal from the ideal output signal if no acceleration is present. A sensor in a steady state on a horizontal surface will measure 0 *g* in X axis and 0 *g* in Y axis whereas the Z axis will measure 1 *g*. The output is ideally in the middle of the dynamic range of the sensor (content of OUT registers 00h, data expressed as 2's complement number). A deviation from ideal value in this case is called Zero-*g* offset. Offset is to some extent a result of stress to MEMS sensor and therefore the offset can slightly change after mounting the sensor onto a printed circuit board or exposing it to extensive mechanical stress. Offset changes little over temperature, see "Zero-*g* level change vs. temperature". The Zero-*g* level tolerance (TyOff) describes the standard deviation of the range of Zero-*g* levels of a population of sensors.

### Functionality

#### 2.6.3 High resolution, Normal mode, Low power mode

The LIS2DH provides three different operating modes respectively reported as *High resolution mode*, *Normal mode* and *Low power mode*.

The table below reported summarizes how to select among the different operating modes.

**Table 9. Operating mode selection**

Operating mode	CTRL_REG1[3] (LPen bit)	CTRL_REG4[3] (HR bit)	BW [Hz]	Turn-on time [ms]	So @ $\pm 2g$ [mg/digit]
Low power mode (8 bit data output)	1	0	ODR/2	1	16
Normal mode(10 bit data output)	0	0	ODR/2	1.6	4
High resolution (12 bit data output)	0	1	ODR/9	7/ODR	1
Not allowed	1	1	--	--	--



The turn-on time to change from all operating mode is reported into [Table 10.: Turn-on time for operating mode change](#).

**Table 10. Turn-on time for operating mode change**

Operating mode change	Turn-on Tim [ms]
12-bit mode to 8 bit mode	1/ODR
12-bit mode to 10 bit mode	1/ODR
10-bit mode to 8 bit mode	1/ODR
10-bit mode to 12 bit mode	7/ODR
8-bit mode to 10 bit mode	1/ODR
8-bit mode to 12 bit mode	7/ODR

**Table 11. Operating modes current consumption**

Operating mode [Hz]	Low power mode (8 bit data output) [ $\mu$ A]	Normal mode (10 bit data output) [ $\mu$ A]	High resolution (12 bit data output) [ $\mu$ A]
1	2	2	2
10	3	4	4
25	4	6	6
50	6	11	11
100	10	20	20
200	18	38	38
400	36	73	73
1344	--	185	185
1620	100	--	--
5376	185	--	--

#### 2.6.4 Self-test

Self-test allows the user to check the sensor functionality without moving it. When the self-test is enabled an actuation force is applied to the sensor, simulating a definite input acceleration. In this case the sensor outputs will exhibit a change in their DC levels which are related to the selected full scale through the device sensitivity. When self-test is activated, the device output level is given by the algebraic sum of the signals produced by the acceleration acting on the sensor and by the electrostatic test-force. If the output signals change within the amplitude specified inside [Table 3](#), then the sensor is working properly and the parameters of the interface chip are within the defined specifications.

### 2.6.5 6D / 4D orientation detection

The LIS2DH include 6D / 4D orientation detection.

#### 6D / 4D orientation recognition

In this configuration the interrupt is generated when the device is stable in a known direction. In 4D configuration Z axis position detection is disable.

### 2.6.6 “Sleep to wake” and “Return to sleep”

The LIS2DH can be programmed to automatically switch to Low power mode upon recognition of a determined event.

Once the event condition is over, the device returns back to the preset Normal or High resolution mode.

To enable this function the desired threshold value must be stored inside Act\_THS(3Eh) registers while the duration value written inside Act\_DUR(3Fh) registers.

When acceleration module becomes lower than the treshold value, the device automatically switches to Low power mode (10Hz ODR).

During this condition, ODRx bits and LPen bit inside [CTRL\\_REG1 \(20h\)](#) and HR bit in [CTRL\\_REG3 \(22h\)](#) are not considered.

As soon as the acceleration goes back over the threshold, the systems restores the operating mode and ODRs as for [CTRL\\_REG1 \(20h\)](#) and [CTRL\\_REG3 \(22h\)](#) settings.

## 2.7 Sensing element

A proprietary process is used to create a surface micro-machined accelerometer. The technology allows carrying out suspended silicon structures which are attached to the substrate in a few points called anchors and are free to move in the direction of the sensed acceleration. To be compatible with the traditional packaging techniques a cap is placed on top of the sensing element to avoid blocking the moving parts during the moulding phase of the plastic encapsulation.

When an acceleration is applied to the sensor the proof mass displaces from its nominal position, causing an imbalance in the capacitive half-bridge. This imbalance is measured using charge integration in response to a voltage pulse applied to the capacitor.

At steady state the nominal value of the capacitors are few pF and when an acceleration is applied the maximum variation of the capacitive load is in the fF range.

## 2.8 IC interface

The complete measurement chain is composed by a low-noise capacitive amplifier which converts the capacitive unbalancing of the MEMS sensor into an analog voltage that is finally available to the user by an analog-to-digital converter.

The acceleration data may be accessed through an I<sup>2</sup>C/SPI interface thus making the device particularly suitable for direct interfacing with a microcontroller.

The LIS2DH features a data-ready signal (RDY) which indicates when a new set of measured acceleration data is available thus simplifying data synchronization in the digital system that uses the device.

The LIS2DH may also be configured to generate an inertial Wake-Up and Free-Fall interrupt signal accordingly to a programmed acceleration event along the enabled axes. Both Free-Fall and Wake-Up can be available simultaneously on two different pins.

## 2.9 Factory calibration

The IC interface is factory calibrated for sensitivity ( $S_0$ ) and Zero-g level ( $TyOff$ ).

The trimming values are stored inside the device in a non volatile memory. Any time the device is turned on, the trimming parameters are downloaded into the registers to be used during the active operation. This allows to use the device without further calibration.

## 2.10 FIFO

The LIS2DH contains a 10 bit, 32-level FIFO. Buffered output allows 4 operation modes: FIFO, stream, trigger and FIFO ByPass. Where FIFO bypass mode is activated FIFO is not operating and remains empty. In FIFO mode, data from acceleration detection on x, y, and z-axes measurements are stored in FIFO.

## 2.11 Temperature sensor

The LIS2DH is supplied with an internal temperature sensor. Temperature data can be enabled by setting the TEMP\_EN bit of the TEMP\_CFG\_REG register to 1.

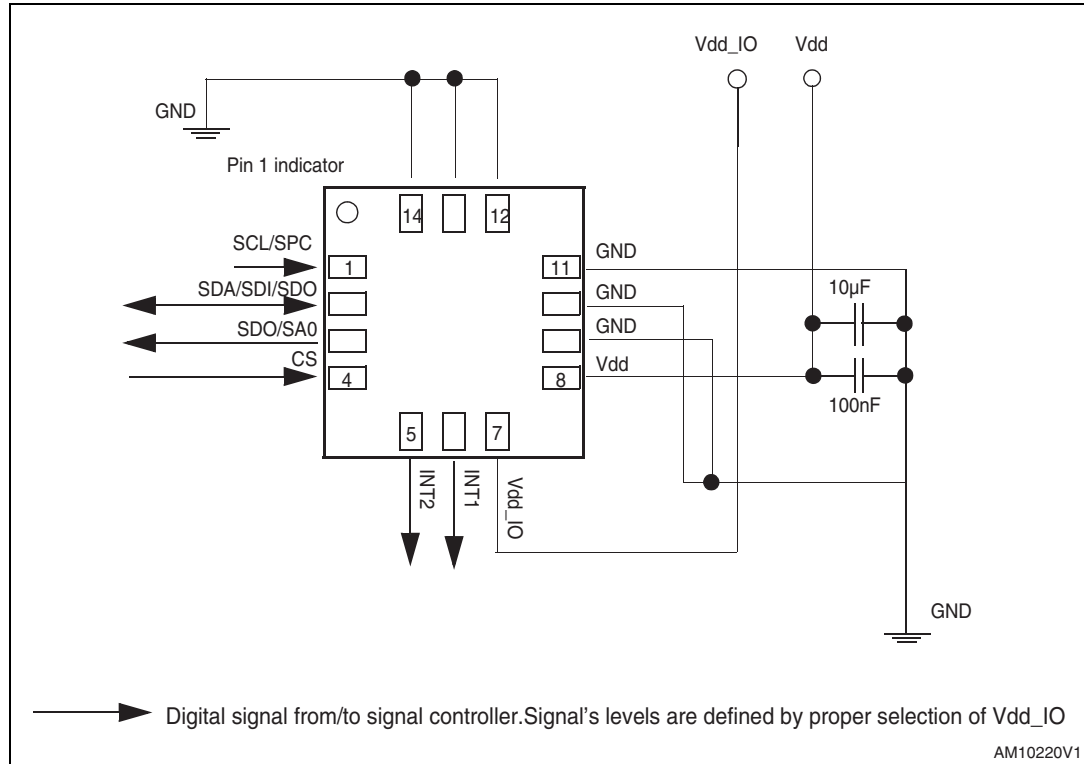
To retrieve the temperature sensor data BDU bit on [CTRL\\_REG4 \(23h\)](#) must be set to '1'.

Both OUT\_TEMP\_H and OUT\_TEMP\_L registers must be read.

Temperature data is stored inside OUT\_TEMP\_H as 2's complement data in 8 bit format left justified.

### 3 Application hints

**Figure 5. LIS2DH electrical connection**



The device core is supplied through Vdd line while the I/O pads are supplied through Vdd\_IO line. Power supply decoupling capacitors (100 nF ceramic, 10 µF aluminum) should be placed as near as possible to the pin 8 of the device (common design practice).

All the voltage and ground supplies must be present at the same time to have proper behavior of the IC (refer to *Figure 5*). It is possible to remove Vdd maintaining Vdd\_IO without blocking the communication bus, in this condition the measurement chain is powered off.

The functionality of the device and the measured acceleration data is selectable and accessible through the I<sup>2</sup>C or SPI interfaces. When using the I<sup>2</sup>C, CS must be tied high.

The functions, the threshold and the timing of the two interrupt pins (INT1 and INT2) can be completely programmed by the user through the I<sup>2</sup>C/SPI interface.

#### 3.1 Soldering information

The LGA package is compliant with the ECOPACK<sup>®</sup>, RoHS and “Green” standard. It is qualified for soldering heat resistance according to JEDEC J-STD-020.

Leave “Pin 1 Indicator” unconnected during soldering.

Land pattern and soldering recommendations are available at [www.st.com](http://www.st.com).

## 4 Digital main blocks

### 4.1 FIFO

The LIS2DH embeds a 32-slot data FIFO for each of the three output channels, X, Y and Z. This allows a consistent power saving for the system, since the host processor does not need to continuously poll data from the sensor, but it can wakeup only when needed and burst the significant data out from the FIFO. This buffer can work accordingly to four different modes: Bypass mode, FIFO mode, Stream mode and Stream-to-FIFO mode. Each mode is selected by the FIFO\_MODE bits into the FIFO\_CTRL\_REG (2E). Programmable Watermark level, FIFO\_empty or FIFO\_Full events can be enabled to generate dedicated interrupts on INT1/2 pin (configuration through FIFO\_CFG\_REG).

#### 4.1.1 Bypass mode

In bypass mode, the FIFO is not operational and for this reason it remains empty. As described in the next figure, for each channel only the first address is used. The remaining FIFO slots are empty.

#### 4.1.2 FIFO mode

In FIFO mode, data from X, Y and Z channels are stored into the FIFO. A watermark interrupt can be enabled (FIFO\_WTMK\_EN bit into FIFO\_CTRL\_REG (2E) in order to be raised when the FIFO is filled to the level specified into the FIFO\_WTMK\_LEVEL bits of FIFO\_CTRL\_REG (2E). The FIFO continues filling until it is full (32 slots of data for X, Y and Z). When full, the FIFO stops collecting data from the input channels.

#### 4.1.3 Stream mode

In the stream mode, data from X, Y and Z measurement are stored into the FIFO. A watermark interrupt can be enabled and set as in the FIFO mode. The FIFO continues filling until it's full (32 slots of data for X, Y and Z). When full, the FIFO discards the older data as the new arrive.

#### 4.1.4 Stream-to-FIFO mode

In Stream-to-FIFO mode, data from X, Y and Z measurement are stored into the FIFO. A watermark interrupt can be enabled (FIFO\_WTMK\_EN bit into FIFO\_CTRL\_REG) in order to be raised when the FIFO is filled to the level specified into the FIFO\_WTMK\_LEVEL bits of FIFO\_CTRL\_REG. The FIFO continues filling until it's full (32 slots of 10 bit for X, Y and Z). When full, the FIFO discards the older data as the new arrive. Once trigger event occurs, the FIFO starts operating in FIFO mode.

#### 4.1.5 Retrieve data from FIFO

FIFO data is read through OUT\_X (Addr reg 29h), OUT\_Y (Addr reg 2Bh) and OUT\_Z (Addr reg 2Dh). When the FIFO is in stream, Trigger or FIFO mode, a read operation to the OUT\_X, OUT\_Y or OUT\_Z registers provides the data stored into the FIFO. Each time data is read from the FIFO, the oldest X, Y and Z data are placed into the OUT\_X, OUT\_Y and OUT\_Z registers and both single read and read\_burst operations can be used.

The reading address is automatically updated by the device and it rolls back to 0x28 when register 0x2D is reached. In order to read all FIFO levels in a multiple byte reading, 192 bytes (6 output registers by 32 levels) have to be read.

## 5 Digital interfaces

The registers embedded inside the LIS2DH may be accessed through both the I<sup>2</sup>C and SPI serial interfaces. The latter may be SW configured to operate either in 3-wire or 4-wire interface mode.

The serial interfaces are mapped onto the same pads. To select/exploit the I<sup>2</sup>C interface, CS line must be tied high (i.e. connected to Vdd\_IO).

**Table 12. Serial interface pin description**

Pin name	Pin description
CS	SPI enable I2C/SPI mode selection (1: SPI idle mode / I2C communication enabled; 0: SPI communication mode / I2C disabled)
SCL SPC	I <sup>2</sup> C serial clock (SCL) SPI serial port clock (SPC)
SDA SDI SDO	I <sup>2</sup> C serial data (SDA) SPI serial data input (SDI) 3-wire interface serial data output (SDO)
SA0 SDO	I <sup>2</sup> C less significant bit of the device address (SA0) SPI serial data output (SDO)

### 5.1 I<sup>2</sup>C serial interface

The LIS2DH I<sup>2</sup>C is a bus slave. The I<sup>2</sup>C is employed to write data into registers whose content can also be read back.

The relevant I<sup>2</sup>C terminology is given in the table below.

**Table 13. Serial interface pin description**

Term	Description
Transmitter	The device which sends data to the bus
Receiver	The device which receives data from the bus
Master	The device which initiates a transfer, generates clock signals and terminates a transfer
Slave	The device addressed by the master

There are two signals associated with the I<sup>2</sup>C bus: the serial clock line (SCL) and the Serial Data line (SDA). The latter is a bidirectional line used for sending and receiving the data to/from the interface. Both the lines must be connected to Vdd\_IO through external pull-up resistor. When the bus is free both the lines are high.

The I<sup>2</sup>C interface is compliant with fast mode (400 kHz) I<sup>2</sup>C standards as well as with the Normal mode.

### 5.1.1 I<sup>2</sup>C operation

The transaction on the bus is started through a START (ST) signal. A START condition is defined as a HIGH to LOW transition on the data line while the SCL line is held HIGH. After this has been transmitted by the Master, the bus is considered busy. The next byte of data transmitted after the start condition contains the address of the slave in the first 7 bits and the eighth bit tells whether the Master is receiving data from the slave or transmitting data to the slave. When an address is sent, each device in the system compares the first seven bits after a start condition with its address. If they match, the device considers itself addressed by the Master.

The Slave ADDRESS (SAD) associated to the LIS2DH is 001100xb. **SDO/SA0** pad can be used to modify less significant bit of the device address. If SA0 pad is connected to voltage supply, LSb is '1' (address 0011001b) else if SA0 pad is connected to ground, LSb value is '0' (address 0011000b). This solution permits to connect and address two different accelerometers to the same I<sup>2</sup>C lines.

Data transfer with acknowledge is mandatory. The transmitter must release the SDA line during the acknowledge pulse. The receiver must then pull the data line LOW so that it remains stable low during the HIGH period of the acknowledge clock pulse. A receiver which has been addressed is obliged to generate an acknowledge after each byte of data received.

The I<sup>2</sup>C embedded inside the LIS2DH behaves like a slave device and the following protocol must be adhered to. After the start condition (ST) a slave address is sent, once a slave acknowledge (SAK) has been returned, a 8-bit sub-address (SUB) is transmitted: the 7 LSb represent the actual register address while the MSB enables address auto increment. If the MSb of the SUB field is '1', the SUB (register address) is automatically increased to allow multiple data read/write.

The slave address is completed with a Read/Write bit. If the bit was '1' (Read), a repeated START (SR) condition must be issued after the two sub-address bytes; if the bit is '0' (Write) the Master will transmit to the slave with direction unchanged. [Table](#) explains how the SAD+read/write bit pattern is composed, listing all the possible configurations.

**Table 14. SAD+read/write patterns**

Command	SAD[6:1]	SAD[0] = SA0	R/W	SAD+R/W
Read	001100	0	1	00110001 (31h)
Write	001100	0	0	00110000 (30h)
Read	001100	1	1	00110011 (33h)
Write	001100	1	0	00110010 (32h)

**Table 15. Transfer when master is writing one byte to slave**

Master	ST	SAD + W		SUB		DATA		SP
Slave			SAK		SAK		SAK	



**Table 16. Transfer when master is writing multiple bytes to slave:**

Master	ST	SAD + W		SUB		DATA		DATA		SP
Slave			SAK		SAK		SAK		SAK	

**Table 17. Transfer when master is receiving (reading) one byte of data from slave:**

Master	ST	SAD + W		SUB		SR	SAD + R			NMAK	SP
Slave			SAK		SAK			SAK	DATA		

**Table 18. Transfer when Master is receiving (reading) multiple bytes of data from slave**

Master	ST	SAD+W		SUB		SR	SAD+R			MAK		MAK		NMAK	SP
Slave			SAK		SAK			SAK	DATA		DATA		DATA		

Data are transmitted in byte format (DATA). Each data transfer contains 8 bits. The number of bytes transferred per transfer is unlimited. Data is transferred with the Most Significant bit (MSb) first. If a receiver can't receive another complete byte of data until it has performed some other function, it can hold the clock line, SCL LOW to force the transmitter into a wait state. Data transfer only continues when the receiver is ready for another byte and releases the data line. If a slave receiver doesn't acknowledge the slave address (i.e. it is not able to receive because it is performing some real time function) the data line must be left HIGH by the slave. The Master can then abort the transfer. A LOW to HIGH transition on the SDA line while the SCL line is HIGH is defined as a STOP condition. Each data transfer must be terminated by the generation of a STOP (SP) condition.

In order to read multiple bytes, it is necessary to assert the most significant bit of the sub-address field. In other words, SUB(7) must be equal to 1 while SUB(6-0) represents the address of first register to be read.

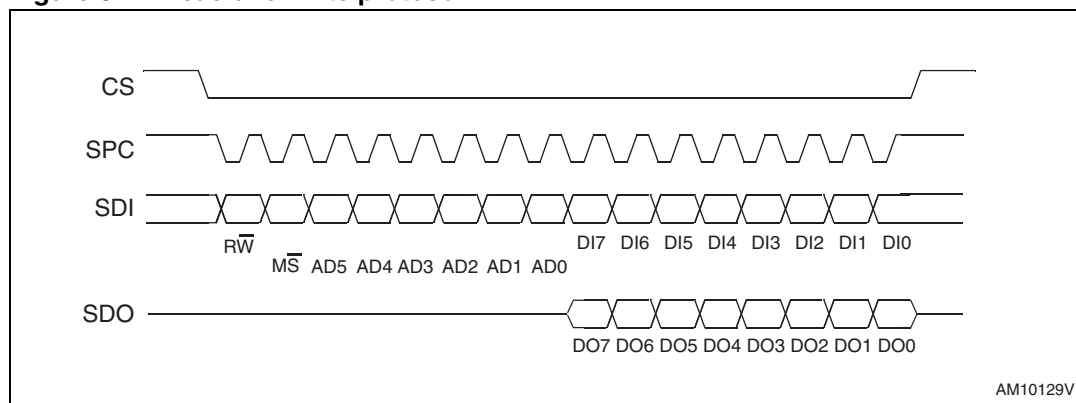
In the presented communication format MAK is Master acknowledge and NMAK is No Master Acknowledge.

## 5.2 SPI bus interface

The LIS2DH SPI is a bus slave. The SPI allows to write and read the registers of the device.

The Serial Interface interacts with the outside world with 4 wires: **CS**, **SPC**, **SDI** and **SDO**.

**Figure 6. Read and write protocol**



**CS** is the serial port enable and it is controlled by the SPI master. It goes low at the start of the transmission and goes back high at the end. **SPC** is the serial port clock and it is controlled by the SPI master. It is stopped high when **CS** is high (no transmission). **SDI** and **SDO** are respectively the serial port data input and output. Those lines are driven at the falling edge of **SPC** and should be captured at the rising edge of **SPC**.

Both the read register and write register commands are completed in 16 clock pulses or in multiple of 8 in case of multiple bytes read/write. Bit duration is the time between two falling edges of **SPC**. The first bit (bit 0) starts at the first falling edge of **SPC** after the falling edge of **CS** while the last bit (bit 15, bit 23, ...) starts at the last falling edge of **SPC** just before the rising edge of **CS**.

**bit 0:**  $\overline{RW}$  bit. When 0, the data DI(7:0) is written into the device. When 1, the data DO(7:0) from the device is read. In latter case, the chip will drive **SDO** at the start of bit 8.

**bit 1:**  $\overline{MS}$  bit. When 0, the address will remain unchanged in multiple read/write commands. When 1, the address is auto incremented in multiple read/write commands.

**bit 2-7:** address AD(5:0). This is the address field of the indexed register.

**bit 8-15:** data DI(7:0) (write mode). This is the data that is written into the device (MSb first).

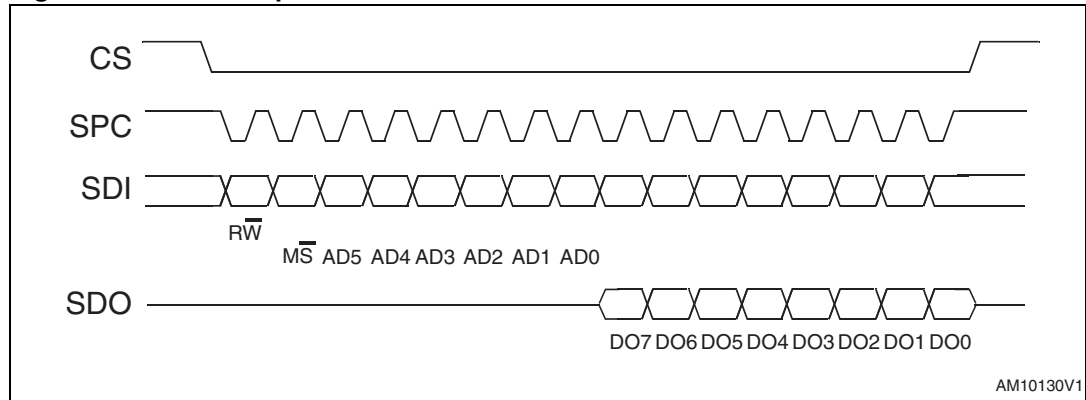
**bit 8-15:** data DO(7:0) (read mode). This is the data that is read from the device (MSb first).

In multiple read/write commands further blocks of 8 clock periods will be added. When  $\overline{MS}$  bit is '0' the address used to read/write data remains the same for every block. When  $\overline{MS}$  bit is '1' the address used to read/write data is increased at every block.

The function and the behavior of **SDI** and **SDO** remain unchanged.

### 5.2.1 SPI read

Figure 7. SPI read protocol



The SPI Read command is performed with 16 clock pulses. Multiple byte read command is performed adding blocks of 8 clock pulses at the previous one.

**bit 0:** READ bit. The value is 1.

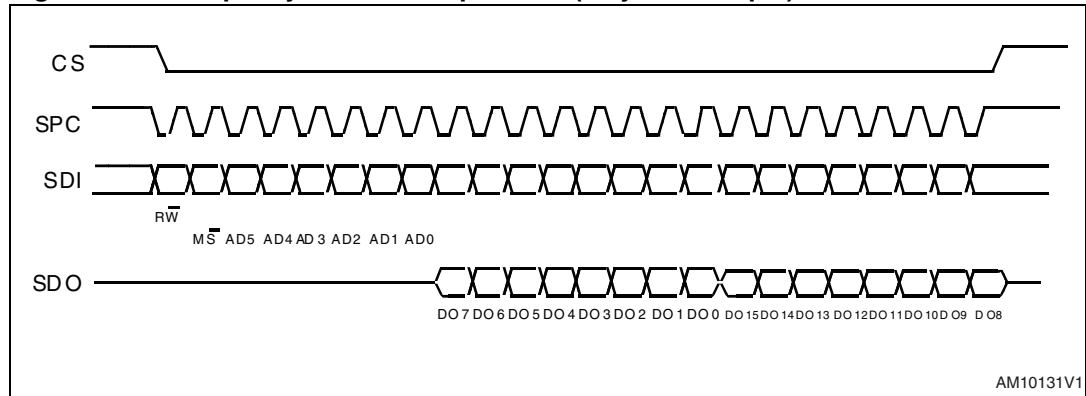
**bit 1:**  $\overline{MS}$  bit. When 0 do not increment address, when 1 increment address in multiple reading.

**bit 2-7:** address AD(5:0). This is the address field of the indexed register.

**bit 8-15:** data DO(7:0) (read mode). This is the data that will be read from the device (MSb first).

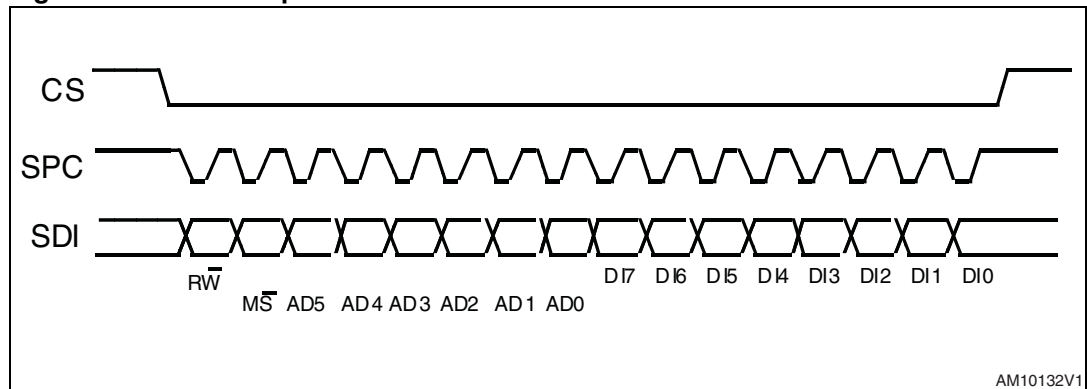
**bit 16-... :** data DO(...-8). Further data in multiple byte reading.

Figure 8. Multiple bytes SPI read protocol (2 bytes example)



### 5.2.2 SPI write

Figure 9. SPI write protocol



The SPI Write command is performed with 16 clock pulses. Multiple byte write command is performed adding blocks of 8 clock pulses at the previous one.

**bit 0:** WRITE bit. The value is 0.

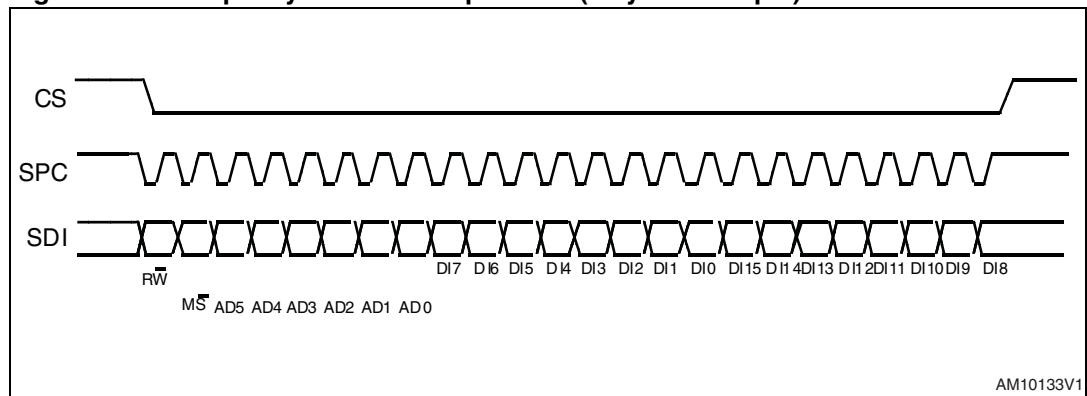
**bit 1:**  $\overline{MS}$  bit. When 0 do not increment address, when 1 increment address in multiple writing.

**bit 2 -7:** address AD(5:0). This is the address field of the indexed register.

**bit 8-15:** data DI(7:0) (write mode). This is the data that is written inside the device (MSb first).

**bit 16-...** : data DI(...-8). Further data in multiple byte writing.

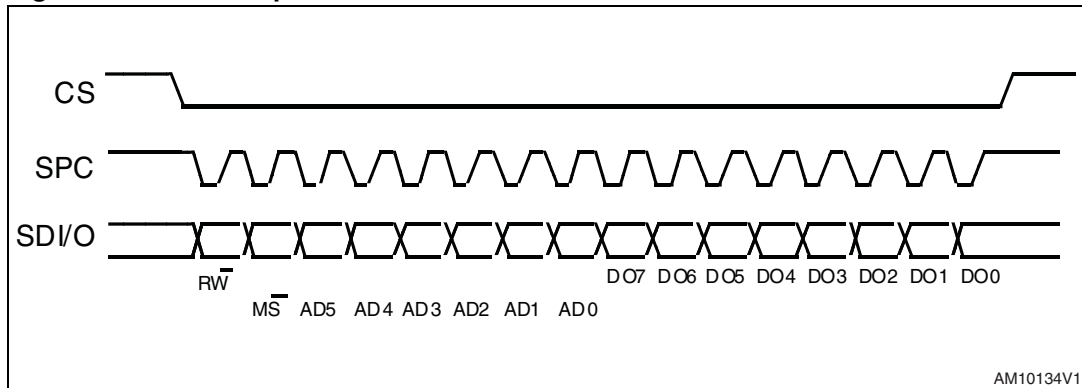
Figure 10. Multiple bytes SPI write protocol (2 bytes example)



### 5.2.3 SPI read in 3-wires mode

3-wires mode is entered by setting to '1' bit SIM (SPI serial interface mode selection) in CTRL\_REG4.

Figure 11. SPI read protocol in 3-wires mode



The SPI read command is performed with 16 clock pulses:

**bit 0:** READ bit. The value is 1.

**bit 1:**  $\overline{MS}$  bit. When 0 do not increment address, when 1 increment address in multiple reading.

**bit 2-7:** address AD(5:0). This is the address field of the indexed register.

**bit 8-15:** data DO(7:0) (read mode). This is the data that is read from the device (MSb first).

Multiple read command is also available in 3-wires mode.

## 6 Register mapping

The table given below provides a listing of the 8 bit registers embedded in the device and the related addresses:

**Table 19. Register address map**

Name	Type	Register address		Default	Comment
		Hex	Binary		
Reserved		00 - 06			Reserved
STATUS_REG_AUX	r	07	000 0111		
Reserved	r	08-0B			Reserved
OUT_TEMP_L	r	0C	000 1100	Output	
OUT_TEMP_H	r	0D	000 1101	Output	
INT_COUNTER_REG	r	0E	000 1110		
WHO_AM_I	r	0F	000 1111	00110011	Dummy register
Reserved		10 - 1E			Reserved
TEMP_CFG_REG	rw	1F	001 1111		
CTRL_REG1	rw	20	010 0000	00000111	
CTRL_REG2	rw	21	010 0001	00000000	
CTRL_REG3	rw	22	010 0010	00000000	
CTRL_REG4	rw	23	010 0011	00000000	
CTRL_REG5	rw	24	010 0100	00000000	
CTRL_REG6	rw	25	010 0101	00000000	
REFERENCE	rw	26	010 0110	00000000	
STATUS_REG2	r	27	010 0111	00000000	
OUT_X_L	r	28	010 1000	Output	
OUT_X_H	r	29	010 1001	Output	
OUT_Y_L	r	2A	010 1010	Output	
OUT_Y_H	r	2B	010 1011	Output	
OUT_Z_L	r	2C	010 1100	Output	
OUT_Z_H	r	2D	010 1101	Output	
FIFO_CTRL_REG	rw	2E	010 1110	00000000	
FIFO_SRC_REG	r	2F	010 1111	0010000	
INT1_CFG	rw	30	011 0000	00000000	
INT1_SOURCE	r	31	011 0001	00000000	
INT1_THS	rw	32	011 0010	00000000	
INT1_DURATION	rw	33	011 0011	00000000	

**Table 19. Register address map (continued)**

Name	Type	Register address		Default	Comment
		Hex	Binary		
INT2_CFG	rw	34	011 0100	00000000	
INT2_SOURCE	r	35	011 0101	00000000	
INT2_THS	rw	36	011 0110	00000000	
INT2_DURATION	rw	37	011 0111	00000000	
CLICK_CFG	rw	38	011 1000	00000000	
CLICK_SRC	r	39	011 1001	00000000	
CLICK_THS	rw	3A	011 1010	00000000	
TIME_LIMIT	rw	3B	011 1011	00000000	
TIME_LATENCY	rw	3C	011 1100	00000000	
TIME_WINDOW	rw	3D	011 1101	00000000	
Act_THS	rw	3E	011 1110	00000000	
Act_DUR	rw	3F	011 1111	00000000	

Registers marked as *Reserved* or not listed in the table above must not be changed. The writing to those registers may cause permanent damages to the device.

The content of the registers that are loaded at boot should not be changed. They contain the factory calibration values. Their content is automatically restored when the device is powered-up.

Boot procedure is complete about 5 milliseconds just after powered up the device.

## 7 Registers Description

### 7.1 STATUS\_AUX (07h)

Table 20. STATUS\_REG\_AUX register

--	TOR	--	--	--	TDA	--	--
----	-----	----	----	----	-----	----	----

Table 21. STATUS\_REG\_AUX description

TOR	Temperature Data Overrun. Default value: 0 (0: no overrun has occurred; 1: a new temperature data has overwritten the previous one)
TDA	Temperature new Data Available. Default value: 0 (0: a new temperature data is not yet available; 1: a new temperature data is available)

### 7.2 OUT\_TEMP\_L (0Ch), OUT\_TEMP\_H (0Dh)

Temperature sensor data. Refer to [Section 2.11: Temperature sensor](#) for details on how to enable and read the temperature sensor output data.

### 7.3 INT\_COUNTER (0Eh)

Table 22. INT\_COUNTER register

IC7	IC6	IC5	IC4	IC3	IC2	IC1	IC0
-----	-----	-----	-----	-----	-----	-----	-----

### 7.4 WHO\_AM\_I (0Fh)

Table 23. WHO\_AM\_I register

0	0	1	1	0	0	1	1
---	---	---	---	---	---	---	---

Device identification register.

### 7.5 TEMP\_CFG\_REG (1Fh)

Table 24. TEMP\_CFG\_REG register

TEMP_EN1	TEMP_EN0	0	0	0	0	0	0
----------	----------	---	---	---	---	---	---



**Table 25. TEMP\_CFG\_REG description**

TEMP_EN[1-0]	Temperature sensor (T) enable. Default value: 00 (00: T disabled; 11: T enabled)
--------------	-------------------------------------------------------------------------------------

## 7.6 CTRL\_REG1 (20h)

**Table 26. CTRL\_REG1 register**

ODR3	ODR2	ODR1	ODR0	LPen	Zen	Yen	Xen
------	------	------	------	------	-----	-----	-----

**Table 27. CTRL\_REG1 description**

ODR3-0	Data rate selection. Default value: 00 (0000:Power Down mode; Others: Refer to <a href="#">Table 28</a> , "Data Rate Configuration")
LPen	Low power mode enable. Default value: 0 (0: Normal mode, 1: Low power mode) (Refer to section <a href="#">2.6.3: High resolution, Normal mode, Low power mode</a> )
Zen	Z axis enable. Default value: 1 (0: Z axis disabled; 1: Z axis enabled)
Yen	Y axis enable. Default value: 1 (0: Y axis disabled; 1: Y axis enabled)
Xen	X axis enable. Default value: 1 (0: X axis disabled; 1: X axis enabled)

**ODR<3:0>** is used to set Power Mode and ODR selection. In the following table are reported all frequency resulting in combination of ODR<3:0>

**Table 28. Data rate configuration**

ODR3	ODR2	ODR1	ODR0	Power mode selection
0	0	0	0	Power down mode
0	0	0	1	HR / normal / Low power mode (1 Hz)
0	0	1	0	HR / normal / Low power mode (10 Hz)
0	0	1	1	HR / normal / Low power mode (25 Hz)
0	1	0	0	HR / normal / Low power mode (50 Hz)
0	1	0	1	HR / normal / Low power mode (100 Hz)
0	1	1	0	HR / normal / Low power mode (200 Hz)
0	1	1	1	HR/ normal / Low power mode (400 Hz)
1	0	0	0	Low power mode (1.620 kHz)
1	0	0	1	HR/ normal (1.344 kHz); Low power mode (5.376 kHz)

## 7.7 CTRL\_REG2 (21h)

**Table 29. CTRL\_REG2 register**

HPM1	HPM0	HPCF2	HPCF1	FDS	HPCLICK	HPIS2	HPIS1
------	------	-------	-------	-----	---------	-------	-------

**Table 30. CTRL\_REG2 description**

HPM1 -HPM0	High Pass filter Mode Selection. Default value: 00 Refer to Table 31, "High pass filter mode configuration"
HPCF2 - HPCF1	High Pass filter Cut Off frequency selection
FDS	Filtered Data Selection. Default value: 0 (0: internal filter bypassed; 1: data from internal filter sent to output register and FIFO)
HPCLICK	High Pass filter enabled for CLICK function. (0: filter bypassed; 1: filter enabled)
HPIS2	High Pass filter enabled for AOI function on Interrupt 2, (0: filter bypassed; 1: filter enabled)
HPIS1	High Pass filter enabled for AOI function on Interrupt 1, (0: filter bypassed; 1: filter enabled)

**Table 31. High pass filter mode configuration**

HPM1	HPM0	High Pass filter Mode
0	0	Normal mode (reset reading <a href="#">REFERENCE/DATACAPTURE (26h)</a> register)
0	1	Reference signal for filtering
1	0	Normal mode
1	1	Autoreset on interrupt event

## 7.8 CTRL\_REG3 (22h)

**Table 32. CTRL\_REG3 register**

I1_CLICK	I1_AOI1	I1_AOI2	I1_DRDY1	I1_DRDY2	I1_WTM	I1_OVERRUN	--
----------	---------	---------	----------	----------	--------	------------	----

**Table 33. CTRL\_REG3 description**

I1_CLICK	CLICK interrupt on INT1 pin. Default value 0. (0: Disable; 1: Enable)
I1_AOI1	AOI1 interrupt on INT1 pn. Default value 0. (0: Disable; 1: Enable)

**Table 33. CTRL\_REG3 description (continued)**

I1_AOI2	AOI2 interrupt on INT1 pin. Default value 0. (0: Disable; 1: Enable)
I1_DRDY1	DRDY1 interrupt on INT1 pin. Default value 0. (0: Disable; 1: Enable)
I1_DRDY2	DRDY2 interrupt on INT1 pin. Default value 0. (0: Disable; 1: Enable)
I1_WTM	FIFO Watermark interrupt on INT1 pin. Default value 0. (0: Disable; 1: Enable)
I1_OVERRUN	FIFO Overrun interrupt on INT1 pin. Default value 0. (0: Disable; 1: Enable)

## 7.9 CTRL\_REG4 (23h)

**Table 34. CTRL\_REG4 register**

BDU	BLE <sup>(1)</sup>	FS1	FS0	HR	ST1	ST0	SIM
-----	--------------------	-----	-----	----	-----	-----	-----

1. BLE function can be activated only in High Resolution mode

**Table 35. CTRL\_REG4 description**

BDU	Block data update. Default value: 0 (0: continuous update; 1: output registers not updated until MSB and LSB have been read)
BLE	Big/Little Endian data selection. Default value:0; (0: data LSB at lower address; 1: data MSb at lower address) The BLE function can be activated only in High Resolution mode
FS1-FS0	Full Scale selection. Default value: 00 (00: +/- 2G; 01: +/- 4G; 10: +/- 8G; 11: +/- 16G)
HR	Operating mode selection (refer to section <a href="#">2.6.3: High resolution, Normal mode, Low power mode</a> )
ST1-ST0	Self Test Enable. Default value: 00 (00: Self Test Disabled; Other: See <a href="#">Table</a> )
SIM	SPI Serial Interface Mode selection. Default value: 0 (0: 4-wire interface; 1: 3-wire interface).

**Table 36. Self test mode configuration**

ST1	ST0	Self test mode
0	0	Normal mode
0	1	Self test 0
1	0	Self test 1
1	1	--

## 7.10 CTRL\_REG5 (24h)

**Table 37. CTRL\_REG5 register**

BOOT	FIFO_EN	--	--	LIR_INT1	D4D_INT1	LIR_INT2	D4D_INT2
------	---------	----	----	----------	----------	----------	----------

**Table 38. CTRL\_REG5 description**

BOOT	Reboot memory content. Default value: 0 (0: Normal mode; 1: reboot memory content)
FIFO_EN	FIFO enable. Default value: 0 (0: FIFO disable; 1: FIFO Enable)
LIR_INT1	Latch interrupt request on INT1_SRC register, with INT1_SRC register cleared by reading INT1_SRC itself. Default value: 0. (0: interrupt request not latched; 1: interrupt request latched)
D4D_INT1	4D enable: 4D detection is enabled on INT1 pin when 6D bit on INT1_CFG is set to 1.
LIR_INT2	Latch interrupt request on INT2_SRC register, with INT2_SRC register cleared by reading INT2_SRC itself. Default value: 0. (0: interrupt request not latched; 1: interrupt request latched)
D4D_INT2	4D enable: 4D detection is enabled on INT2 pin when 6D bit on INT2_CFG is set to 1.

## 7.11 CTRL\_REG6 (25h)

**Table 39. CTRL\_REG6 register**

I2_CLICKen	I2_INT1	I2_INT2	BOOT_I2	P2_ACT	--	H_LACTIVE	-
------------	---------	---------	---------	--------	----	-----------	---

**Table 40. CTRL\_REG6 description**

I2_CLICKen	Click interrupt on INT2 pin. Default value: 0 (0: disable; 1: enable)
I2_INT1	Interrupt 1 function enabled on INT2 pin. Default value: 0 (0: function disable; 1: function enable)
I2_INT2	Interrupt 2 function enabled on INT2 pin. Default value: 0 (0: function disable; 1: function enable)
BOOT_I2	Boot on INT2 pin enable. Default value: 0 (0: disable; 1:enable)
P2_ACT	Activity interrupt enable on INT2 pin. Default value: 0. (0: disable; 1:enable)
H_LACTIVE	interrupt active. Default value: 0. (0: interrupt active high; 1: interrupt active low)

## 7.12 REFERENCE/DATACAPTURE (26h)

**Table 41. REFERENCE register**

Ref7	Ref6	Ref5	Ref4	Ref3	Ref2	Ref1	Ref0
------	------	------	------	------	------	------	------

**Table 42. REFERENCE register description**

Ref 7-Ref0	Reference value for Interrupt generation. Default value: 0
------------	------------------------------------------------------------

## 7.13 STATUS\_REG (27h)

**Table 43. STATUS register**

ZYXOR	ZOR	YOR	XOR	ZYXDA	ZDA	YDA	XDA
-------	-----	-----	-----	-------	-----	-----	-----

**Table 44. STATUS register description**

ZYXOR	X, Y and Z axis Data Overrun. Default value: 0 (0: no overrun has occurred; 1: a new set of data has overwritten the previous ones)
ZOR	Z axis Data Overrun. Default value: 0 (0: no overrun has occurred; 1: a new data for the Z-axis has overwritten the previous one)
YOR	Y axis Data Overrun. Default value: 0 (0: no overrun has occurred; 1: a new data for the Y-axis has overwritten the previous one)
XOR	X axis Data Overrun. Default value: 0 (0: no overrun has occurred; 1: a new data for the X-axis has overwritten the previous one)
ZYXDA	X, Y and Z axis new Data Available. Default value: 0 (0: a new set of data is not yet available; 1: a new set of data is available)
ZDA	Z axis new Data Available. Default value: 0 (0: a new data for the Z-axis is not yet available; 1: a new data for the Z-axis is available)
YDA	Y axis new Data Available. Default value: 0 (0: a new data for the Y-axis is not yet available; 1: a new data for the Y-axis is available)

## 7.14 OUT\_X\_L (28h), OUT\_X\_H (29h)

X-axis acceleration data. The value is expressed as two's complement left justified.  
Please refer to [Section 2.6.3: High resolution, Normal mode, Low power mode](#).

### 7.15 OUT\_Y\_L (2Ah), OUT\_Y\_H (2Bh)

Y-axis acceleration data. The value is expressed as two's complement left justified. Please refer to [Section 2.6.3: High resolution, Normal mode, Low power mode](#).

### 7.16 OUT\_Z\_L (2Ch), OUT\_Z\_H (2Dh)

Z-axis acceleration data. The value is expressed as two's complement left justified. Please refer to [Section 2.6.3: High resolution, Normal mode, Low power mode](#).

### 7.17 FIFO\_CTRL\_REG (2Eh)

**Table 45. FIFO\_CTRL\_REG register**

FM1	FM0	TR	FTH4	FTH3	FTH2	FTH1	FTH0
-----	-----	----	------	------	------	------	------

**Table 46. FIFO\_CTRL\_REG register description**

FM1-FM0	FIFO mode selection. Default value: 00 (see <a href="#">Table 47</a> )
TR	Trigger selection. Default value: 0 0: Trigger event allows to trigger signal on INT1 1: Trigger event allows to trigger signal on INT2
FTH4:0	Default value: 0

**Table 47. FIFO mode configuration**

FM1	FM0	FIFO mode
0	0	Bypass mode
0	1	FIFO mode
1	0	Stream mode
1	1	Trigger mode

### 7.18 FIFO\_SRC\_REG (2Fh)

**Table 48. FIFO\_SRC register**

WTM	OVFN_FIFO	EMPTY	FSS4	FSS3	FSS2	FSS1	FSS0
-----	-----------	-------	------	------	------	------	------

## 7.19 INT1\_CFG (30h)

**Table 49. INT1\_CFG register**

AOI	6D	ZHIE/ ZUPE	ZLIE/ ZDOWNE	YHIE/ YUPE	YLIE/ YDOWNE	XHIE/ XUPE	XLIE/ XDOWNE
-----	----	---------------	-----------------	---------------	-----------------	---------------	-----------------

**Table 50. INT1\_CFG description**

AOI	And/Or combination of Interrupt events. Default value: 0. Refer to <a href="#">Table 51, "Interrupt mode"</a>
6D	6 direction detection function enabled. Default value: 0. Refer to <a href="#">Table 51, "Interrupt mode"</a>
ZHIE/ ZUPE	Enable interrupt generation on Z high event or on Direction recognition. Default value: 0 (0: disable interrupt request; 1: enable interrupt request)
ZLIE/ ZDOWNE	Enable interrupt generation on Z low event or on Direction recognition. Default value: 0 (0: disable interrupt request; 1: enable interrupt request)
YHIE/ YUPE	Enable interrupt generation on Y high event or on Direction recognition. Default value: 0 (0: disable interrupt request; 1: enable interrupt request.)
YLIE/ YDOWNE	Enable interrupt generation on Y low event or on Direction recognition. Default value: 0 (0: disable interrupt request; 1: enable interrupt request.)
XHIE/ XUPE	Enable interrupt generation on X high event or on Direction recognition. Default value: 0 (0: disable interrupt request; 1: enable interrupt request.)
XLIE/XDOWN E	Enable interrupt generation on X low event or on Direction recognition. Default value: 0 (0: disable interrupt request; 1: enable interrupt request.)

Content of this register is loaded at boot.

Write operation at this address is possible only after system boot.

**Table 51. Interrupt mode**

AOI	6D	Interrupt mode
0	0	OR combination of interrupt events
0	1	6 direction movement recognition
1	0	AND combination of interrupt events
1	1	6 direction position recognition

Difference between AOI-6D = '01' and AOI-6D = '11'.

AOI-6D = '01' is movement recognition. An interrupt is generate when orientation move from unknown zone to known zone. The interrupt signal stay for a duration ODR.

AOI-6D = '11' is direction recognition. An interrupt is generate when orientation is inside a known zone. The interrupt signal stay untill orientation is inside the zone.

## 7.20 INT1\_SRC (31h)

**Table 52. INT1\_SRC register**

0	IA	ZH	ZL	YH	YL	XH	XL
---	----	----	----	----	----	----	----

**Table 53. INT1\_SRC description**

IA	Interrupt active. Default value: 0 (0: no interrupt has been generated; 1: one or more interrupts have been generated)
ZH	Z high. Default value: 0 (0: no interrupt, 1: Z High event has occurred)
ZL	Z low. Default value: 0 (0: no interrupt; 1: Z Low event has occurred)
YH	Y high. Default value: 0 (0: no interrupt, 1: Y High event has occurred)
YL	Y low. Default value: 0 (0: no interrupt, 1: Y Low event has occurred)
XH	X high. Default value: 0 (0: no interrupt, 1: X High event has occurred)
XL	X low. Default value: 0 (0: no interrupt, 1: X Low event has occurred)

Interrupt 1 source register. Read only register.

Reading at this address clears INT1\_SRC IA bit (and the interrupt signal on INT 1 pin) and allows the refreshment of data in the INT1\_SRC register if the latched option was chosen.

## 7.21 INT1\_THS (32h)

**Table 54. INT1\_THS register**

0	THS6	THS5	THS4	THS3	THS2	THS1	THS0
---	------	------	------	------	------	------	------

**Table 55. INT1\_THS description**

THS6 - THS0	Interrupt 1 threshold. Default value: 000 0000 1LSb = 16mg @FS=2g 1LSb = 32 mg @FS=4g 1LSb = 62 mg @FS=8g 1LSb = 186 mg @FS=16g
-------------	---------------------------------------------------------------------------------------------------------------------------------------------



## 7.22 INT1\_DURATION (33h)

**Table 56. INT1\_DURATION register**

0	D6	D5	D4	D3	D2	D1	D0
---	----	----	----	----	----	----	----

**Table 57. INT1\_DURATION description**

D6 - D0	Duration value. Default value: 000 0000 1 LSb = 1/ODR
---------	----------------------------------------------------------

**D6 - D0** bits set the minimum duration of the Interrupt 2 event to be recognized. Duration steps and maximum values depend on the ODR chosen.

Duration time is measured in N/ODR, where N is the content of the duration register.

## 7.23 INT2\_CFG (34h)

**Table 58. INT2\_CFG register**

AOI	6D	ZHIE	ZLIE	YHIE	YLIE	XHIE	XLIE
-----	----	------	------	------	------	------	------

**Table 59. INT2\_CFG description**

AOI	AND/OR combination of interrupt events. Default value: 0. (See table below)
6D	6 direction detection function enabled. Default value: 0. Refer to <a href="#">Table 60, "Interrupt mode"</a>
ZHIE	Enable interrupt generation on Z high event. Default value: 0 (0: disable interrupt request; 1: enable interrupt request on measured accel. value higher than preset threshold)
ZLIE	Enable interrupt generation on Z low event. Default value: 0 (0: disable interrupt request; 1: enable interrupt request on measured accel. value lower than preset threshold)
YHIE	Enable interrupt generation on Y high event. Default value: 0 (0: disable interrupt request; 1: enable interrupt request on measured accel. value higher than preset threshold)
YLIE	Enable interrupt generation on Y low event. Default value: 0 (0: disable interrupt request; 1: enable interrupt request on measured accel. value lower than preset threshold)

**Table 59. INT2\_CFG description (continued)**

XHIE	Enable interrupt generation on X high event. Default value: 0 (0: disable interrupt request; 1: enable interrupt request on measured accel. value higher than preset threshold)
XLIE	Enable interrupt generation on X low event. Default value: 0 (0: disable interrupt request; 1: enable interrupt request on measured accel. value lower than preset threshold)

Content of this register is loaded at boot.

Write operation at this address is possible only after system boot.

**Table 60. Interrupt mode**

AOI	6D	Interrupt mode
0	0	OR combination of interrupt events
0	1	6 direction movement recognition
1	0	AND combination of interrupt events
1	1	6 direction position recognition

Difference between AOI-6D = '01' and AOI-6D = '11'.

AOI-6D = '01' is movement recognition. An interrupt is generate when orientation move from unknown zone to known zone. The interrupt signal stay for a duration ODR.

AOI-6D = '11' is direction recognition. An interrupt is generate when orientation is inside a known zone. The interrupt signal stay untill orientation is inside the zone.

## 7.24 INT2\_SRC (35h)

**Table 61. INT2\_SRC register**

0	IA	ZH	ZL	YH	YL	XH	XL
---	----	----	----	----	----	----	----

**Table 62. INT2\_SRC description**

IA	Interrupt active. Default value: 0 (0: no interrupt has been generated; 1: one or more interrupts have been generated)
ZH	Z high. Default value: 0 (0: no interrupt, 1: Z high event has occurred)
ZL	Z low. Default value: 0 (0: no interrupt; 1: Z low event has occurred)
YH	Y high. Default value: 0 (0: no interrupt, 1: Y high event has occurred)

**Table 62. INT2\_SRC description (continued)**

YL	Y low. Default value: 0 (0: no interrupt, 1: Y low event has occurred)
XH	X high. Default value: 0 (0: no interrupt, 1: X high event has occurred)
XL	X Low. Default value: 0 (0: no interrupt, 1: X low event has occurred)

Interrupt 2 source register. Read only register.

Reading at this address clears INT2\_SRC IA bit (and the interrupt signal on INT 2 pin) and allows the refreshment of data in the INT2\_SRC register if the latched option was chosen.

## 7.25 INT2\_THS (36h)

**Table 63. INT2\_THS register**

0	THS6	THS5	THS4	THS3	THS2	THS1	THS0
---	------	------	------	------	------	------	------

**Table 64. INT2\_THS description**

THS6 - THS0	Interrupt 2 threshold. Default value: 000 0000 1LSb = 16mg @FS=2g; 1LSb = 32mg @FS=4g; 1LSb = 62mg @FS=8g; 1LSb = 186mg @FS=16g
-------------	---------------------------------------------------------------------------------------------------------------------------------------------

## 7.26 INT2\_DURATION (37h)

**Table 65. INT2\_DURATION register**

0	D6	D5	D4	D3	D2	D1	D0
---	----	----	----	----	----	----	----

**Table 66. INT2\_DURATION description**

D6-D0	Duration value. Default value: 000 0000 1 LSb = 1/ODR <sup>(1)</sup>
-------	-------------------------------------------------------------------------

1. Duration time is measured in N/ODR, where N is the content of the duration register.

**D6 - D0** bits set the minimum duration of the Interrupt 2 event to be recognized. Duration time steps and maximum values depend on the ODR chosen.

## 7.27 CLICK\_CFG (38h)

**Table 67. CLICK\_CFG register**

--	--	ZD	ZS	YD	YS	XD	XS
----	----	----	----	----	----	----	----

**Table 68. CLICK\_CFG description**

ZD	Enable interrupt double tap-tap on Z axis. Default value: 0 (0: disable interrupt request; 1: enable interrupt request on measured accel. value higher than preset threshold)
ZS	Enable interrupt single tap-tap on Z axis. Default value: 0 (0: disable interrupt request; 1: enable interrupt request on measured accel. value higher than preset threshold)
YD	Enable interrupt double tap-tap on Y axis. Default value: 0 (0: disable interrupt request; 1: enable interrupt request on measured accel. value higher than preset threshold)
YS	Enable interrupt single tap-tap on Y axis. Default value: 0 (0: disable interrupt request; 1: enable interrupt request on measured accel. value higher than preset threshold)
XD	Enable interrupt double tap-tap on X axis. Default value: 0 (0: disable interrupt request; 1: enable interrupt request on measured accel. value higher than preset threshold)
XS	Enable interrupt single tap-tap on X axis. Default value: 0 (0: disable interrupt request; 1: enable interrupt request on measured accel. value higher than preset threshold)

## 7.28 CLICK\_SRC (39h)

**Table 69. CLICK\_SRC register**

	IA	DClick	SClick	Sign	Z	Y	X
--	----	--------	--------	------	---	---	---

**Table 70. CLICK\_SRC description**

IA	Interrupt active. Default value: 0 (0: no interrupt has been generated; 1: one or more interrupts have been generated)
DClick	Double Click-Click enable. Default value: 0 (0:double Click-Click detection disable, 1: double tap-tap detection enable)
Stap	Single Click-Click enable. Default value: 0 (0:Single Click-Click detection disable, 1: single Click-Click detection enable)
Sign	Click-Click Sign. 0: positive detection, 1: negative detection
Z	Z Click-Click detection. Default value: 0 (0: no interrupt, 1: Z High event has occurred)

**Table 70. CLICK\_SRC description (continued)**

Y	Y Click-Click detection. Default value: 0 (0: no interrupt, 1: Y High event has occurred)
X	X Click-Click detection. Default value: 0 (0: no interrupt, 1: X High event has occurred)

## 7.29 CLICK\_THS (3Ah)

**Table 71. CLICK\_THS register**

-	Ths6	Ths5	Ths4	Ths3	Ths2	Ths1	Ths0
---	------	------	------	------	------	------	------

**Table 72. CLICK\_SRC description**

Ths6-Ths0	Click-Click threshold. Default value: 000 0000
-----------	------------------------------------------------

## 7.30 TIME\_LIMIT (3Bh)

**Table 73. TIME\_LIMIT register**

-	TLI6	TLI5	TLI4	TLI3	TLI2	TLI1	TLI0
---	------	------	------	------	------	------	------

**Table 74. TIME\_LIMIT description**

TLI7-TLI0	Click-Click Time Limit. Default value: 000 0000
-----------	-------------------------------------------------

## 7.31 TIME\_LATENCY (3Ch)

**Table 75. TIME\_LATENCY register**

TLA7	TLA6	TLA5	TLA4	TLA3	TLA2	TLA1	TLA0
------	------	------	------	------	------	------	------

**Table 76. TIME\_LATENCY description**

TLA7-TLA0	Click-Click Time Latency. Default value: 000 0000
-----------	---------------------------------------------------

## 7.32 TIME WINDOW(3Dh)

**Table 77. TIME\_WINDOW register**

TW7	TW6	TW5	TW4	TW3	TW2	TW1	TW0
-----	-----	-----	-----	-----	-----	-----	-----

**Table 78. TIME\_WINDOW description**

TW7-TW0	Click-Click Time Window
---------	-------------------------

### 7.33 Act\_THS(3Eh)

**Table 79. TIME\_WINDOW register**

--	Acth6	Acth5	Acth4	Acth3	Acth2	Acth1	Acth0
----	-------	-------	-------	-------	-------	-------	-------

**Table 80. TIME\_WINDOW description**

Acth[6-0]	Sleep to wake, return to Sleep activation threshold in Low power mode 1LSb = 16mg @FS=2g 1LSb = 32 mg @FS=4g 1LSb = 62 mg @FS=8g 1LSb = 186 mg @FS=16g
-----------	--------------------------------------------------------------------------------------------------------------------------------------------------------------------

### 7.34 Act\_DUR (3Fh)

**Table 81. Act\_DUR register**

ActD7	ActD6	ActD5	ActD4	ActD3	ActD2	ActD1	ActD0
-------	-------	-------	-------	-------	-------	-------	-------

**Table 82. Act\_DUR description**

ActD[7-0]	Sleep to Wake, Return to Sleep duration 1LSb = $(8 * 1[LSb] + 1) / ODR$
-----------	----------------------------------------------------------------------------

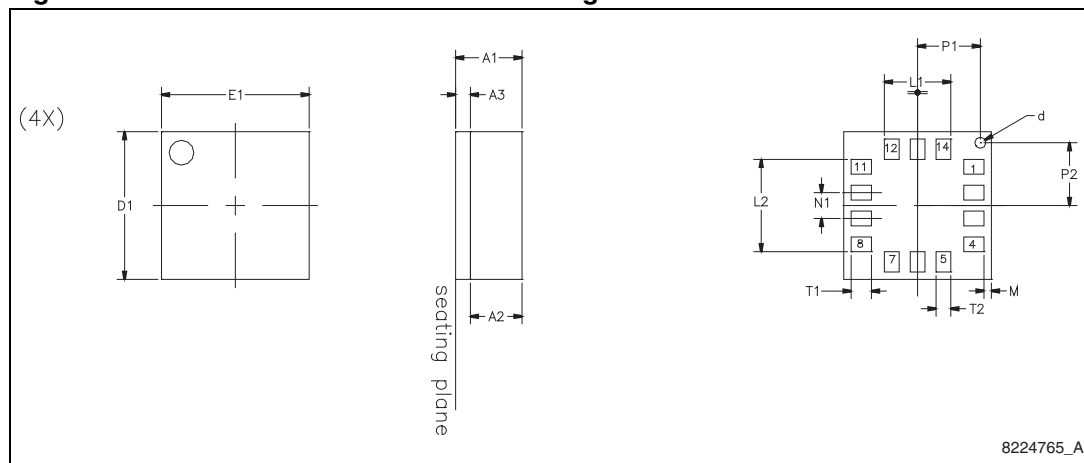
## 8 Package information

In order to meet environmental requirements, ST offers these devices in different grades of ECOPACK® packages, depending on their level of environmental compliance. ECOPACK® specifications, grade definitions and product status are available at: [www.st.com](http://www.st.com). ECOPACK is an ST trademark.

**Table 83. LGA-14 2x2x1 mechanical dimensions**

Ref.	Min.	Typ.	Max.
A1			1
A2		0.785	
A3		0.200	
D1	1.850	2.000	2.150
E1	1.850	2.000	2.150
L1		0.900	
L2		1.250	
N1		0.350	
T1		0.275	
T2		0.200	
P1		0.850	
P2		0.850	
d		0.150	
M		0.100	
K		0.050	

**Figure 12. LGA-14 2x2x1 mechanical drawing**



## 9 Revision history

**Table 84. Document revision history**

Date	Revision	Changes
25-Nov-2011	1	Initial release.



**Please Read Carefully:**

Information in this document is provided solely in connection with ST products. STMicroelectronics NV and its subsidiaries ("ST") reserve the right to make changes, corrections, modifications or improvements, to this document, and the products and services described herein at any time, without notice.

All ST products are sold pursuant to ST's terms and conditions of sale.

Purchasers are solely responsible for the choice, selection and use of the ST products and services described herein, and ST assumes no liability whatsoever relating to the choice, selection or use of the ST products and services described herein.

No license, express or implied, by estoppel or otherwise, to any intellectual property rights is granted under this document. If any part of this document refers to any third party products or services it shall not be deemed a license grant by ST for the use of such third party products or services, or any intellectual property contained therein or considered as a warranty covering the use in any manner whatsoever of such third party products or services or any intellectual property contained therein.

**UNLESS OTHERWISE SET FORTH IN ST'S TERMS AND CONDITIONS OF SALE ST DISCLAIMS ANY EXPRESS OR IMPLIED WARRANTY WITH RESPECT TO THE USE AND/OR SALE OF ST PRODUCTS INCLUDING WITHOUT LIMITATION IMPLIED WARRANTIES OF MERCHANTABILITY, FITNESS FOR A PARTICULAR PURPOSE (AND THEIR EQUIVALENTS UNDER THE LAWS OF ANY JURISDICTION), OR INFRINGEMENT OF ANY PATENT, COPYRIGHT OR OTHER INTELLECTUAL PROPERTY RIGHT.**

**UNLESS EXPRESSLY APPROVED IN WRITING BY TWO AUTHORIZED ST REPRESENTATIVES, ST PRODUCTS ARE NOT RECOMMENDED, AUTHORIZED OR WARRANTED FOR USE IN MILITARY, AIR CRAFT, SPACE, LIFE SAVING, OR LIFE SUSTAINING APPLICATIONS, NOR IN PRODUCTS OR SYSTEMS WHERE FAILURE OR MALFUNCTION MAY RESULT IN PERSONAL INJURY, DEATH, OR SEVERE PROPERTY OR ENVIRONMENTAL DAMAGE. ST PRODUCTS WHICH ARE NOT SPECIFIED AS "AUTOMOTIVE GRADE" MAY ONLY BE USED IN AUTOMOTIVE APPLICATIONS AT USER'S OWN RISK.**

Resale of ST products with provisions different from the statements and/or technical features set forth in this document shall immediately void any warranty granted by ST for the ST product or service described herein and shall not create or extend in any manner whatsoever, any liability of ST.

ST and the ST logo are trademarks or registered trademarks of ST in various countries.

Information in this document supersedes and replaces all information previously supplied.

The ST logo is a registered trademark of STMicroelectronics. All other names are the property of their respective owners.

© 2011 STMicroelectronics - All rights reserved

STMicroelectronics group of companies

Australia - Belgium - Brazil - Canada - China - Czech Republic - Finland - France - Germany - Hong Kong - India - Israel - Italy - Japan - Malaysia - Malta - Morocco - Philippines - Singapore - Spain - Sweden - Switzerland - United Kingdom - United States of America

[www.st.com](http://www.st.com)

# Mouser Electronics

Authorized Distributor

Click to View Pricing, Inventory, Delivery & Lifecycle Information:

[STMicroelectronics:](#)

[LIS2DHTR](#)